

Computational Simulation - Design & Analysis functionality of Grid Connected (GC) Photo-Voltaic (PV) System

Preeti Tripathi
Azad Institute of Engineering, Lucknow
M.Tech (Power System)
Preetitripathi2507@gmail.com

Professor -Imran Khan
Azad Institute of Engineering and
Technology, Lucknow

Article Info

Volume 82

Page Number: 4189 - 4195

Publication Issue:

January-February 2020

Abstract

The electrical power produced via photo-voltaic (PV) array relies largely on weather circumstances. Therefore, the PV solar grid linked inverters needs to render with regulation mechanism in order to fulfill swift response of solar irradiance changes. In this work, we presented a continuous state functionality of the PV grid-connected (GC) unit at distinct solar irradiances. The presented model is developed on MATLAB environment, which includes the PV array using an improved perturb and observe (MP&O) tracking system interconnected to DC to DC boosting conversion application, the 3-phase 3 level electric power inverter which usually associated to the utility grid using low pass filter, coupled transformer and synchronous control mechanism of PV inverter as well as , UG. The presented model is lab-created within day-by-day climate circumstances to evaluate its working functionality. The simulation results of the proposed system satisfy requirements grid performance with high power quality. In the proposed work number of cell module used 90, number of parallel string 60, maximum PV output voltage 1000wb/m² at 274 V, minimum voltage at 600 wb/m² at 250 V, maximum power at 1000 wb/m²-100 kw, and minimum power at 600 wb/m²-57 kw.

Keywords- PV, MP&O, boost converter,UG

Article History

Article Received: 18 May 2019

Revised: 14 July 2019

Accepted: 22 December 2019

Publication: 21 January 2020

I. INTRODUCTION

A significant way to obtain renewable-energy (RE) in India is meant for solar energy (SE). With regard to India, the typical gross total annual SE incident on terrain surface region only, is approximately 5000000 billion KW-hours, considering that India takes approximately 305 apparent bright days within a calendar year. The SE source output experienced in a calendar year surpasses the feasible energy levels all from the precious energy resource stores through India. From 12X10³ KW of installed total capacity in 2011 and 500X10³ KW in 2012, the total installed grid-connected (GC) solar power energy capability, at the time of first quarter 2016 with regard to India is 6770 MW and so an added approximately 10,000 MW through 2017 and over-all of 100X10³ MW in 2022, is anticipated to generated [1,2]. Several RE initiatives are substantial size, however, renewable systems are likewise appropriate to nonurban and distant areas in growing parts of the world, in which energy is essential to human being advancement.

GC PV units throughout the globe consider approximately 98.9% to the installed total capacity in contrast to stand-alone units, which specifically make use of electric batteries. Electric battery-less GC PV are less expensive and simply involve significantly less routine

service. Batteries are usually not required to GC PV considering that the power produced can be loaded to one of the main grids designed for immediate transmissions, the distribution and utilization. This assists in easing the pressure on various other resources delivering power into the grid.

In this paper, the effects involved with connected PV unit to grid will be analyzed. Furthermore, the performance ratio on the standard GC PV unit located in north India is examined.

II. EFFECTS OF GRID CONNECTED PV DESIGN SYSTEM

In the event of PV entrance is actually high PV frameworks can easily expose the lattice to a few unfavorable effects, e.g.:

1. Power stream in reverse,
2. Overvoltage due to scattering feeders,
3. Controlling of Voltage issue,
4. Unbalanced Phase,
5. Issues of Power Quality,
6. Increment of Reactive power
7. Islanding detection difficulty.

The proposed work deliberates the following three effects.

a. Problems/Harmonics in Power quality

The inverter works as a center in the GC PV unit which is particularly accountable for the level released towards the grid of value of electrical power. Harmonics back inverters even add on to the model with a company of nonlinear lots, at the time of DC/AC conversion process. Harmonic currents bring in power drop and then consequence in warping of supplied electricity. Harmonics may likewise reason for resonating during the supply procedure, ending in breakdown, lowering in life span or everlasting destruction of electric accessories [3].

b. Reactive Power Increment

Solar pv inverters in most cases run around unit power-factor. The admins of modest non-commercial PV units within a compensation centered plan are levied in accordance with their kilowatt-hour production rather than kilovolt-ampere hour. Consequently, individuals opt for PV inverters with the power factor (PF) of unity, optimizing the active power generation capability, and as well, their returning accordingly. Subsequently, the reactive electrical power marketplace growing mandate fulfilled by the Photovoltaic model is very low. For this reason, the grid is accountable for delivering the greater part of reactive electrical power, & then it creates distributing the transformer function in very poor PF [3].

c. Detection of Islanding

One of the circumstances whenever the solar-system proceeds to source the load despite the fact that grid power coming from the application merely arises is named islanding. Islanding might be harmful to electric staff, who may possibly not really understand the fact that circuit is even now empowered whilst doing work on maintenance or routine service. For this reason, the solar inverter needs to identify islanding distributed in which generator (DG) and detachment PV electrical system once the grid gets down. Its action of the PV unit is termed as the anti-islanding [4]. All these effects are primarily based on to the overall dimensions and position of PV unit. In accordance with Solar America Board for Codes and Standards (ABCs), PV platforms are categorized in line with three classes, according to the scores of the model. Modest arrangements are ranked at 10 k-W or fewer; intermediate scale units are graded somewhere between 10 KW and 500 KW; and so large-scale models are ranked over 500 KW. In this study, we asses, larger-scale PV model of 4MW designed for simulation.

Generally, there exists two controlling approaches for 3-phase VSI including current-control (CC) and voltage-control (VC). The VSI VC make use of the phase angle amongst output voltage of the inverter and so the grid voltage in order to regulation of the electrical power circulation [6]. The control strategy in developing the GC PV inverter makes use of two control loops. the first loop is an exterior control loop that can be accustomed to control the output electrical

power through the PV array towards the grid. The second one is an interior control loop that can be utilized to control the applied current on the grid and then maintain it in phase with the voltage to attain unit PF procedure [7]. A large number of control systems had been suggested to control the inverter output current that could be inserted in the UG [6-7]. The designed control approach intended for the 3-phase inverter contains a approach for DC link for controlling of the voltage that could strengthen the power in the inverter input that usually provides the inverter to perform the job effectively.

Here are two main controlling schemes for 3-phase VSI, for example, current controller and voltage controller. The VSI VC utilize the phase point between the inverter generated voltage and the electricity generated as of the grid in direction to controlling the elctrical power load [6]. The controlling methodology in planning the framework associated PV inverter utilizes two controlling loops. First one is called the exterior control loops that is utilized to manage the yield control from the PV array into the grid. The second one is called internal control loops which is utilized to direct the infused current to the network and keeps it into the stable with the voltage for accomplishing solidarity control factor task [7]. Many of controlling instruments have been suggested in the literature for directing the inverter to yielding current which is infused into the UG [6-7]. The created control procedure for the 3-phase inverting system incorporates a strategy for DC interface voltage controller that can settle the voltage at the inverter input that provides the inverter for working productively.

This paper represents PV model overall performance at the time of periodic weather conditions all day to acquire optimum performance of PV 3-phase distributed genset which can be appropriate for substantial establishing including faculties in educational institutions, clinics or sizeable shopping mall. The PV device is linked generally with moderate voltage networking system by using power transformer which can validate power placing around PV unit and so main grid. This technique is generally specified for process with the community networking system which usually possesses 3-phase line voltage of $20kV \pm 10\%$.

III. MODELING OF SYSTEM

In our presented system of a GC PV model for standard roof-top solar-powered establishing is demonstrated in as shown in Fig. 1. The device is unruffled of PV panel consisting of PV system arrays (make of Sun Power SPR-305-WHT), the DC to DC boosting conversation designed for improving the PV voltage to the position that is sufficient meant for inverter in order to generate an optimum output, a 3-phase VSI interconnected in between DC-link capacitance (which in turn functions like a momentary power storing area to offer VSI having a constant movement of electricity) and then L-C filtration system to protect against harmonics coming within the UG. The conventional PV voltage is usually 274 Vdc for a solar irradiance of thousand W/m², which usually creates a 500 Vdc through DC to DC boost conversion after which transformed down into AC voltage by means of a 3 tier VSI close to 20 kV by using a step-up transformer to input to UG.

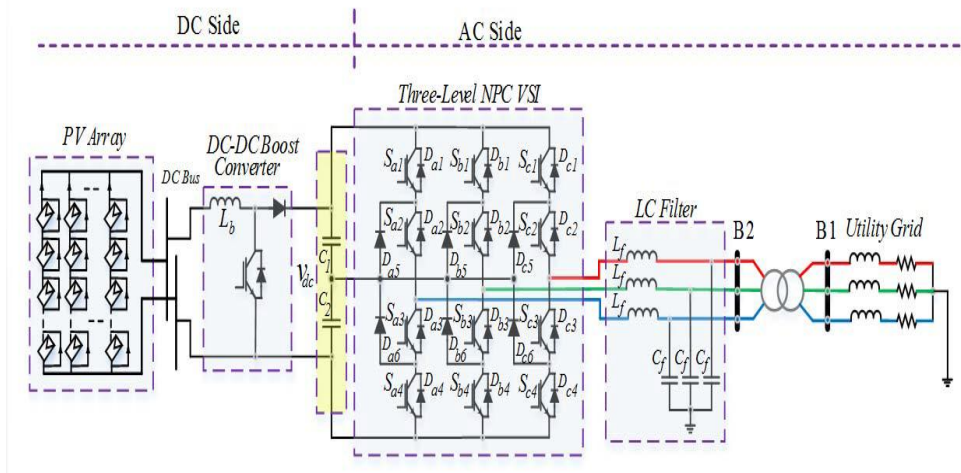


Fig. 1: Diagram of three-level PV grid associated inverter [8]

a. PV System Modeling

Fig. 2 shows the electrical equivalent circuitry diagram of PV cluster using the corrected two-diodes modeling arrangement. The output current (\$I_{PV}\$) of the PV array system is given by Eq. 1. \$V_{PV}\$ is the output voltage of PV array, \$R_s\$ and \$R_{sh}\$ are the series and shunt resistance of the concerned PV cells. \$N_s\$ and \$N_p\$ are the number of series and parallel cells respectively [10]. The parameters of two-diodes system of photo diode-current (\$I_{ph}\$), flooded currents (\$I_{s1}, I_{s2}\$), series and shunt resistances (\$R_s, R_{sh}\$), and ideality two-diode factors (\$a_1, a_2\$) are arranged as in Fig.2

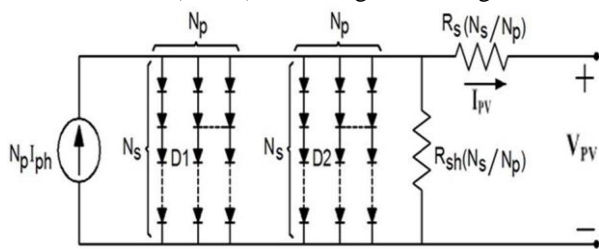


Fig. 2: Equal circuit model of single-diode for PV array [9]

Where:

- \$I_{s1}\$ = saturation current of diode D1,
- \$I_{s2}\$ = saturation current of diode D2,
- \$V_T\$ = thermal voltage (\$V_T = N_s K T/q\$),
- \$K\$ = Boltzmann constant,
- \$T\$ = temperature in degrees K,
- \$q\$ = electric charge (\$1.6 * 10^{-19}\$ C)
- \$a_1\$ = ideality factor of diode D1,
- \$a_2\$ = ideality factor of diode D2,

b. Modeling for DC-DC Boost Converter

The input and output associations of the DC-DC boost converter displayed in Fig.3, The DC-DC boost converter factors can be calculated using Eqs. (2:5) [11-18].

$$I_{PV} = N_p I_{ph} - N_p I_{s1} \left[\exp \left(\frac{1.0 (V_{PV} + I_{PV} R_s)}{a_1 \left(\frac{V_{PV}}{N_s} + \frac{I_{PV} R_s}{N_p} \right)} \right) - 1 \right] - N_p I_{s2} \left[\exp \left(\frac{1.0 (V_{PV} + I_{PV} R_s)}{a_2 \left(\frac{V_{PV}}{N_s} + \frac{I_{PV} R_s}{N_p} \right)} \right) - 1 \right] - \frac{1}{R_{sh}} \left(\frac{V_{PV}}{N_s} + \frac{I_{PV} R_s}{N_p} \right) \quad (1)$$

$$V_{DC} = \frac{V_{PV}}{1 - D} \quad (2)$$

$$L_{BOOST} = \frac{V_{PV} (V_{DC} - V_{PV})}{\Delta I_{LBOOST}} \quad (3)$$

$$C_B = \frac{\Delta I_L}{8 f_s \Delta V_{PV}} \quad (4)$$

$$C_{DC} = \frac{P_{PV}}{2.0 w_g V_{DC} \Delta V_{DC}} \quad (5)$$

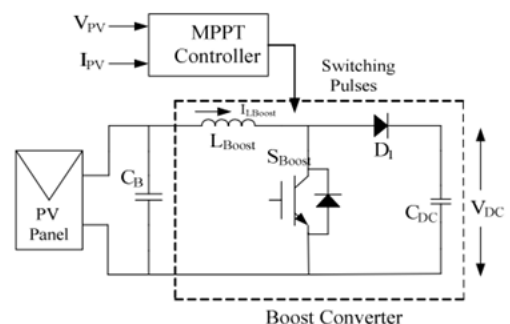


Fig. 3: DC-DC boost converter

c. Filter for Power

The UG user interface is made up of filtration systems in order to decrease the harmonics produced in the inverter and also to reduce the effects of surges originating from one of the UG [12]. Unit of electrical power filter system taken into account in this important model is demonstrated in Fig.4 that's a 3-phase second order low-pass passive filter. The filter is mounted along at the output of 3-phase VSI.

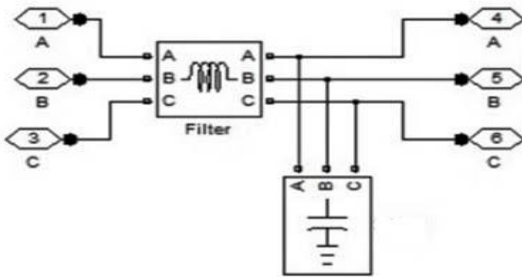


Fig. 4: LC low pass power filter used at the output terminals of PV inverter [12].

The assortment of the capacitance is usually an alternative between the reactive power provided by a capacitance at the primary frequency and inductance. The raising of capacitor capacity can decrease the performance for the inverter, whereas minimizing capacitor value of LC filtration system can boost the inductor as well as voltage drop throughout networking system. More often than not the reactive power associated with capacitor value is recommended lower than 15 percent of the graded inverter power efficiency. In this kind of model, the reactive power is selected by 10% of the graded power associated with the inverter [13-15].

$$C_f = \frac{0.1 * P_{PV}}{3 * \omega_g * V_g^2} \quad (6)$$

The choices of the inductor in the filter, L_f relies on the filter's resonance frequency that could be more than or comparable to the 1/10 of grid frequency in order to avoid resonance with the grid network. Therefore, the filter inductance as shown in eqn.1:

$$L_f \leq \frac{1}{100 * \omega_g^2 * C_f} \quad (7)$$

a. MPPT controller

Fig. 5 demonstrates the flow-diagram of MPPT P&O improved protocol [14-15]. The flow-diagram of Fig. 6 demonstrate the fact that each and every sample duration, the MPP could be monitored by evaluating the variations in power, voltage and load importance regarding zero to obtain the appropriate track for excitation the PV array voltage, to track down the MPP promptly in which V_{pv} , equates to V_{mpp} at MPP. When the MPP is got, the process in the PV array is preserved at this time except if there exists a swap in ΔP , which shows a difference in solar radiation or weather scenario. The algo minimizes or accelerates V_{pv} to track the latest MPP [14-16]. This kind of approach gives a

considerably better monitoring of the MPP underneath swift swapping atmospheric circumstances in comparison with the classic P&O approach.

Maximum power point is expression is given below

$$dP/dV=0, \text{ where } P=V*I$$

$$d(V*I)/dV = I + V*dI/dV = 0$$

$$dI/dV = -I/V$$

The integral regulator minimizes the error i.e.

$$(dI/dV + I/V)$$

Regulator output = Duty cycle correction

b. Grid-Connected Control System

Figure 6 reveals regulation design of a VSI. The PLL is employed to synchronizing the inverter together with the grid, by which it can take the voltage from the grid and provides the frequency as well as, phase angle associated with the voltage from the grid appropriately maybe even with the warping in the voltage from the grid [18]. Voltage regulator provides command current $(I_d)^*$ in order to progression of its current regulator by establishing DC electric voltage $(V_{dc})^*$. The current regulator is composed of PI controllers for both of those i_d as well as, i_q currents. The command current $(I_d)^*$ is pulled via voltage regulator which is likened together with the grid current (I_d) .

The evaluated signal (ΔI_d) is analyzed via the PI controller for lessening the miscalculation and generating the adding-signal with the built-up voltage computing signal (V_d) in order to assess with ωL to develop $(V_d)^*$. Additionally, the command current $(I_q)^*$ tends to zero in order to boost the PF of the inverter near unity. The signal (ΔI_q) is produced by using the PI controller to generate the adding signal with the produced voltage (V_q) as well as, ωL to generate $(V_q)^*$ command. The results of the PI controllers are analyzed by using hysteresis band to overcome the errors amongst upper/lower limit. The d_{q0} , is modified for the 3-phase to PWM.

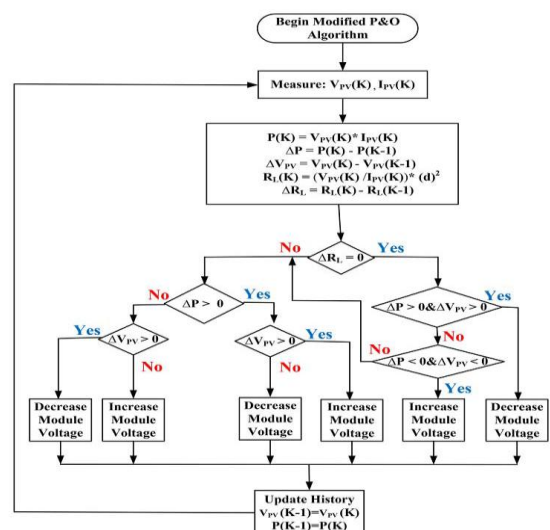


Fig.5: Flowchart of the MPPT algorithm

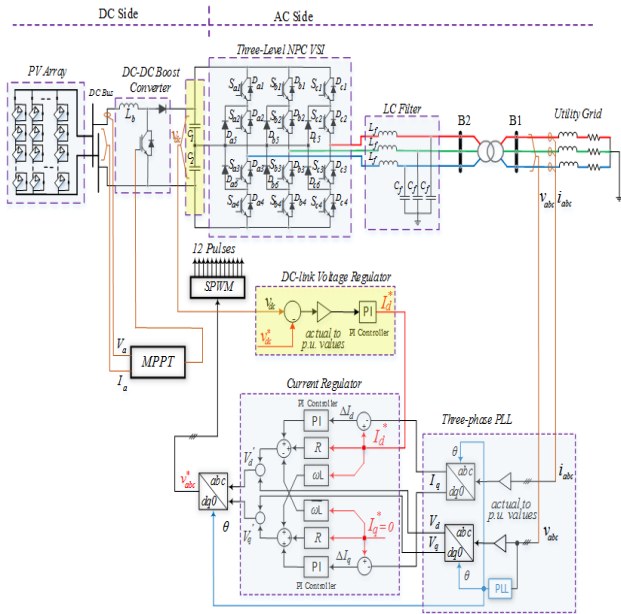


Fig. 6: System configuration of PV GC system

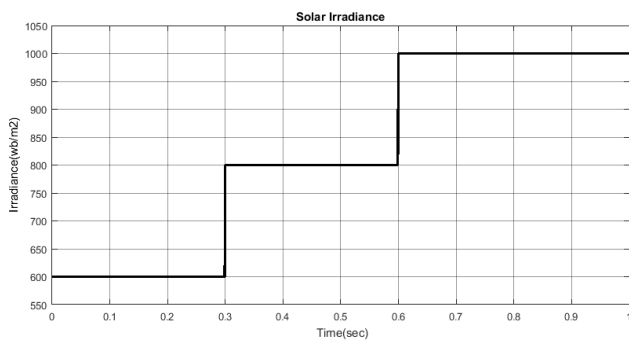
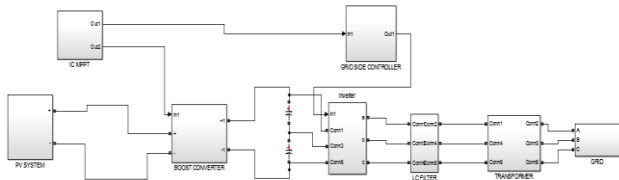


Figure solar radiation

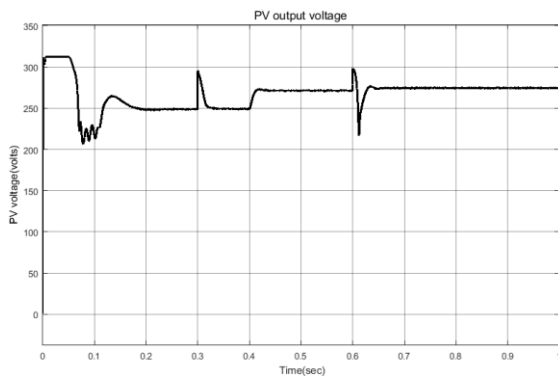


Figure solar output volatge

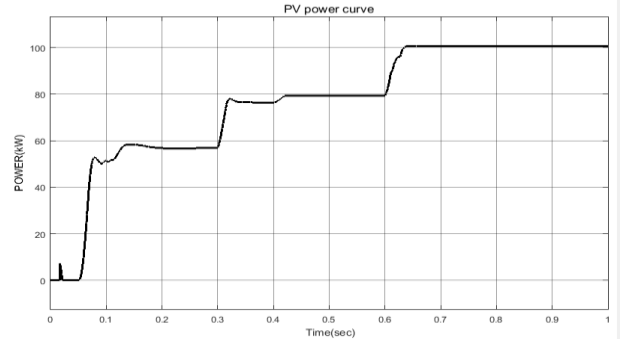


Figure solar power genrated

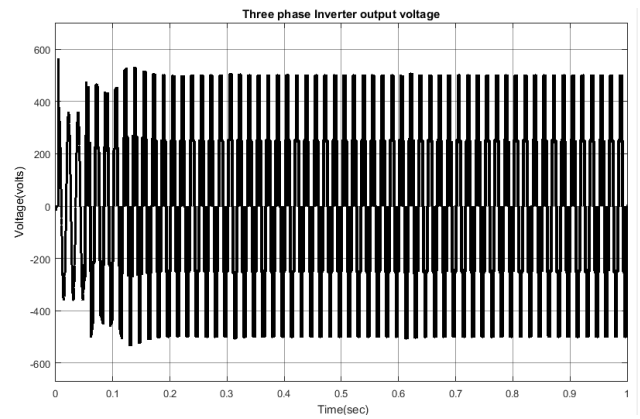


Figure inverter output voltage

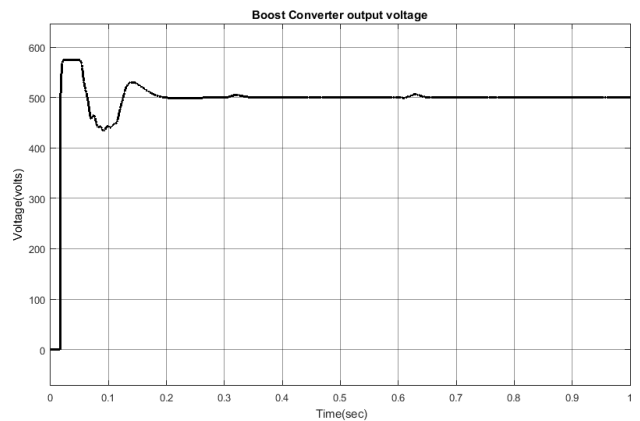


Figure boost converter output voltage

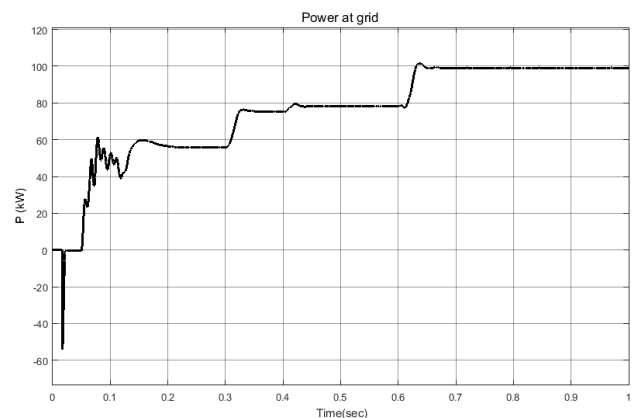


Figure power at grid

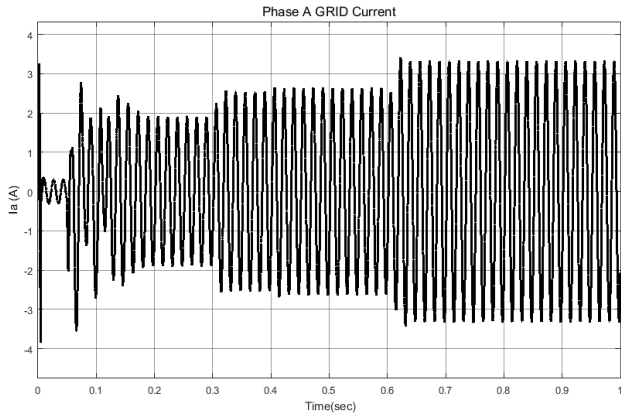


Figure phase a grid current

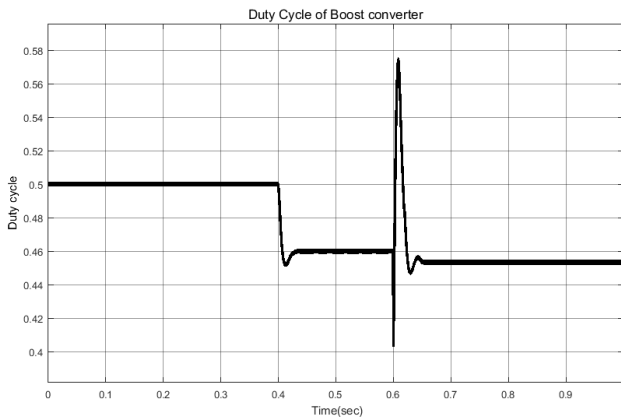


Figure duty cycle of boost converter

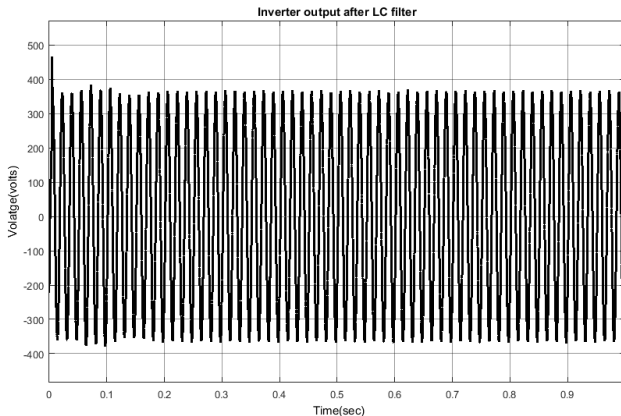


Figure Inverter output voltage

Solar parameters

Number of cell per module—90

Number of parallel string--60

Maximum pv output voltage at 1000wb/m²—274 volts

Minimum volatge at 600 wb/ m²—250 volts

Maximum power at 1000 wb/ m²—100 kw

Minimum power at 600 wb/ m²—57 kw

Boost converter

L=5mH

C=1000microF

Transformer rating

VA-100e3

f=50Hz

260v/25kv

IV. CONCLUSION

In this research, we analyses effectiveness of PV connected-grid unit comprised of PV array and an modified P&O tracking system and 3 level 3-phase inverter supplied with filtration system comprised with inductor and capacitor, and a step-up transformer. The controlling structure primarily based on synchronous framework of power grid synchronizing inverter with the grid utility as outlined by grid code and increased inverter PF near unit. The LC filtration system upgraded power standard in the inverter intended for minimizing harmonic warping. The MPP tracking system practices irradiance levels meant for taking out highest possible power and balancing DC voltage at consistent level of 500 VDC. The overall execution of the projected system has good binding agreement with the UG.

REFERENCES

- [1] Physical Progress (Achievements), Ministry of New and Renewable Energy, Govt. of India. 31 January 2014. Retrieved 21 February 2014.
- [2] State wise installed solar power capacity (PDF), Ministry of New and Renewable Energy, Govt. of India. 1 March 2016. Retrieved 24 March 2016.
- [3] D. M. Tobnaghi, "A Review on Impacts of Grid-Connected PV System on Distribution Network," International Journal of Electrical, Computer, Energetic, Electronic and Communication Engg. , Vol. 10, No.1, 2016.
- [4] "Grid Integration of Distributed Solar Photovoltaics (PV) in India," A Prayas (Energy Group) Report, July 2014.
- [5] IEEE Standard 519-1992 – Recommended Practices and Requirements for Harmonic Control in Electrical Power Systems. Revision to IEEE 519-2014.
- [6] B. K. Perera, P. Ciufu, S. Perera, "Point of Common Coupling (PCC) voltage control of a grid-connected solar Photovoltaic (PV) system," 39th Annual Conference of the IEEE Industrial Electronics Society (IECON 2013), 2013, pp.7475-7480.
- [7] H. Ko, S. R. Lee, H. Dehbonei, and C. V. Nayar, "Application of Voltage-and Current-Controlled Voltage Source Inverters for Distributed Generation Systems," IEEE Transactions on Energy Conversion, vol. 21, pp. 782-792, 2006.
- [8] M. P. Kazmierkowski and L. Malesani, "Current Control Techniques for Three-Phase Voltage-Source PWM Converters: A Survey," IEEE Transactions on Industrial Electronics, vol. 45, no. 5, pp. 691-703, 1998.E.
- [9] Adel A. Elbaset, Hamdi Ali and Montaser Abd-El Sattar "Novel Seven-Parameter Model for Photovoltaic Modules" Solar Energy Materials & Solar Cells, vol. 130, pp. 442-455, 2014.Polycarpou, M.M.: Stable Adaptive

- Neural Control Scheme for Nonlinear Systems. IEEE Trans. Automat. Contr., 41 (1996) 447-450.
- [10] Brigitte Hauke –“Basic Calculation of a Boost Converter’s Power Stage” Application Report SLVA372B – November 2009 – Revised July 2010- Texas Instrument.Ge, S.S., et al.: A Direct Method for Robust Adaptive Nonlinear Control with Guaranteed Transient Performance. System Control Lett., 37 (1999) 275-284
- [11] Soeren Baekhoej Kjaer et al “A Review of Single-Phase Grid- Connected Inverters for Photovoltaic Modules” IEEE Transactions on Industry Applications, vol. 41, no. 5, September/October 2005.
- [12] M. Prodanović and T. C. Green, "Control and filter design of three-phase inverters for high power quality grid connection," *IEEE Transactions on Power Electronics*, vol. 18, no. 1, pp. 373-380, January 2003.
- [13] T. C. Wang, Z. Ye, G. Sinha, and X. Yuan, "Output Filter Design for A Grid-Interconnected Three-Phase Inverter," in *IEEE 34th Annual Power Electronics Specialist Conference (PESC'03)*, pp. 779-784, Acapulco, Mexico, June 15-19, 2003.
- [14] Gabriel Ooi Heo Peng, “Investigation and Implementation of Multilevel Power Converters for Low/Medium/High Power Applications”, Ph.D Thesis, School of Electrical and Electronic Engineering, Nanyang Technological University, 2015.
- [15] J. Rodriguez, J.-S. Lai, and F. Z. Peng, "Multilevel Inverters: A Survey of Topologies, Controls, and Applications," *IEEE Transactions on Industrial Electronics*, vol. 49, no. 4, pp. 724- 738, August 2002.
- [16] J. S. Lai and F. Z. Peng, "Multilevel Converters-A New Breed of Power Converters," *IEEE Transactions on Industry Applications*, vol. 32, no. 3, pp. 509-517, May/June 1996.
- [17] C. Hochgraf, R. Lasseter, D. Divan, and T. Lipo "Comparison of multilevel inverters for static var compensation," in *IEEE Conference Record of Industry Applications Society Annual Meeting*, pp. 921-928, Denver, Colorado, October 2-6, 1994. E.D. Mehleri, H. Sarimveis, N.C. Markatos, and L.G. Papageorgiou, “Optimal Design and Operation of Distributed Energy Systems: Application to Greek Residential Sector,” *Renewable Energy*, vol. 51, pp. 331-342, March 2013.